

MANNESMANN REXROTH	Gear pump Model G3, Series 3X		RA 10 039/03.95 Replaces: 01.91
	Sizes 20 to 38	...3600 PSI (250 bar)	

- Sleeve bearings for long life
- Single block bearings
- Innovative principle of hydrostatic compensation
- ISO and SAE drive shafts and mounting flanges available
- Tandem pumps possible

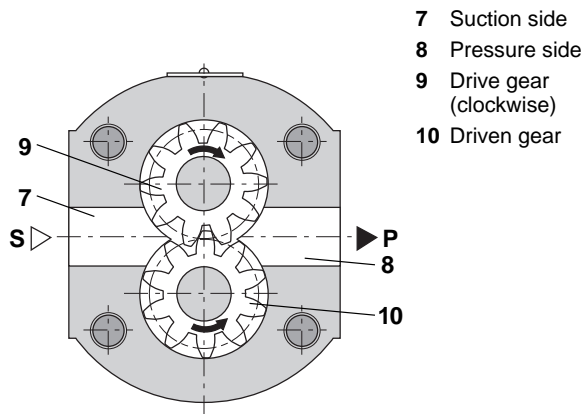
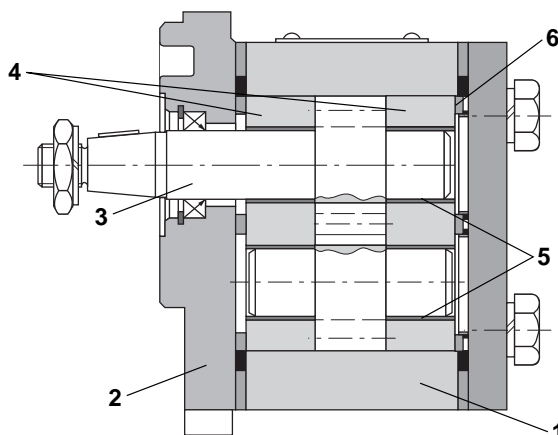


Model: 1 PF 2 G3-3X/...D 07 MB (SAE-B 2 bolt)

Functional Description

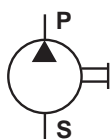
Hydraulic pumps, model G3, are self-priming, external gear pumps. Applicable to 3600 PSI (250 bar). These fixed displacement pumps provide flow to operate hydraulic circuits. Consisting of housing (1), mounting flange (2), drive shaft (3), bearing blocks (4), sleeve bearings (5), and hydrostatic compensation plates (6). G3 series gear pumps are designed to handle the rigors of industrial use.

Rotation of the gears creates a void at the suction inlet (7). Fluid trapped in the gear roots is transported to the pressure port (8). This merging of fluid creates flow, which reflects a pressure signal as a result of load forces. As evident by the cross-section, any void created at the suction inlet will immediately be replaced by reservoir fluid. To enhance smooth performance, a small volume of load-pressurized-fluid is needed to aid in internal lubrication.

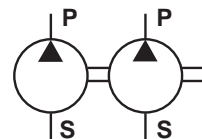


Symbols

Single pump



Tandem pump



Ordering Code

1 PF 2 G3 - 3X / 07 M *

Series 30 to 39 = 3X*
(30 to 39, externally interchangeable)

- 1.28 in³/rev (20.9 cm³/rev) (V_{geom}) = Size 20 = 020
- 1.43 in³/rev (23.4 cm³/rev) (V_{geom}) = Size 23 = 023
- 1.58 in³/rev (25.9 cm³/rev) (V_{geom}) = Size 26 = **026**
- 1.84 in³/rev (30.1 cm³/rev) (V_{geom}) = Size 29 = **029**
- 1.99 in³/rev (32.6 cm³/rev) (V_{geom}) = Size 32 = **032**
- 2.29 in³/rev (37.6 cm³/rev) (V_{geom}) = Size 38 = **038**

Direction of rotation (viewed from the drive shaft)
 Clockwise = R
 Counter-clockwise = L

Shaft end
 Splined shaft 7/8" SAE-B , 13 teeth = D
 Parallel shaft to ISO (Ø 18 mm) = A
 Tapered shaft 1 : 5, Ø 20 mm = C
 Tongued shaft with coupling for rear pump = N

SAE suction and pressure ports = 07

Further details to be written in clear text

No Code = Single pump
 K = Front pump of combination
 N = Middle pump for combination
 L = Rear pump of combination

B = SAE-B 2 hole flange Ø 101.6 mm spigot
S = Rectangular flange Ø 80 mm spigot (std)
T = Rectangular flange Ø 50.8 mm spigot
H = Combination flange for rear pumps
M = Buna seals, suitable for mineral oils
 to RA 07 075

*Consult factory for stock availability

Sample orders for single pumps:

1 PF 2 G3-3X/020 RA 07 MB
 1 PF 2 G3-3X/029 RD 07 MBK
 (front pump only)

Sample orders for tandem pumps:

1 PF 2 G3-3X/026 RA 07 MBK +
 1 PF 2 G3-3X/023 LN 07 MHL
Parts for combination G3 + G3 Ident No.194 483

Tandem pumps are supplied completely assembled

Technical Data (For operation outside these parameters, please consult us!)

General

Mounting position: Optional
Direction of rotation: The pump may only be operated in the direction of rotation indicated.
Max. permissible torque: See page 3
Type of drive: Flexible coupling
Ambient temperature: 5 ... 140 °F (-15 to 60 °C)
Weight: See table page 8

Hydraulic

Fluid: Petroleum oils to data sheet RA 07 075
Maximum degree of fluid contamination: Class 18/15 according to ISO 4406. Therefore, we recommend a filter with a retention rate of $\beta_{20} \geq 75$. For longer life, we recommend class 17/14, achievable with a filter $\beta_{10} \geq 100$.
Fluid temperature range: 5 ... 176 °F (-15 ... 80°C)
 please consult us for higher temperatures
Viscosity range: 60 ... 1400 SUS (10 ... 300 mm²/s)
 4640 SUS (1000 mm²/s)
 (maximum permissible starting viscosity)

Hydraulic

Size		20	23	26	29	32	38
Displacement	in ³ /rev (cm ³ /rev)	1.28 (20.9)	1.43 (23.4)	1.58 (25.9)	1.84 (30.1)	1.99 (32.6)	2.29 (37.6)
Operating pressure at inlet: absolute pressure	PSIA (bar)	$p_{abs\ min}$ 10.3 PSIA (0.7 bar) $p_{abs\ max}$ 43.5 PSIA (3.0 bar)					
Max. continuous pressure p1	PSI (bar)	3625 (250)	3625 (250)	3625 (250)	3000 (210)	2900 (200)	2540 (175)
Peak pressure * p2	PSI (bar)	3990 (275)	3990 (275)	3990 (275)	3265 (225)	3120 (215)	2900 (200)
Max. speed at continuous pressure p1	rpm	3600	3200	2900	3900	3600	3100
Min. speed at p = 180 bar	rpm	500	500	500	500	500	500
Min. speed at p1	rpm	700	700	700	700	700	700

* For 5 x 10⁵ pressure peaks. Please enquire for higher values!

Pump outputs and power requirements

Model	Size	Displacement Volume V in ³ /rev. (cm ³ /rev.)	Pressure PSI (bar)	Effective output flow (Q _{eff}); required drive power (p _a) and torque (Md) at n = 1750 rpm and v = 190 SUS (41 mm ² /s)											
				145 (10)	365 (25)	725 (50)	1090 (75)	1450 (100)	1815 (125)	2175 (150)	2540 (175)	2900 (200)	3045 (210)	3625 (250)	
G3	20	1.28 (20.9)	Q _{eff}	GPM	9.25	9.22	9.19	9.14	9.09	9.03	8.93	0.88	8.80	8.72	8.61
				(L/min)	(35)	(34.9)	(34.8)	(34.6)	(34.4)	(34.2)	(33.8)	(33.6)	(33.3)	(33)	(32.6)
			p _a	HP	1.65	3.29	4.91	7.04	8.97	10.85	13.03	15.11	17.07	17.84	21.13
		(kW)	(1.23)	(2.45)	(3.66)	(5.25)	(6.69)	(8.09)	(9.72)	(11.27)	(12.73)	(13.30)	(15.76)		
		Md	lb-ft	6.05	12.10	18.07	25.96	33.12	40.05	48.09	55.83	62.99	65.79	77.96	
		(daNm)	(0.82)	(1.64)	(2.45)	(3.52)	(4.49)	(5.43)	(6.52)	(7.57)	(8.54)	(8.92)	(10.57)		
	23	1.43 (23.4)	Q _{eff}	GPM	10.65	10.59	10.49	10.43	10.38	10.36	10.33	10.22	10.17	10.14	10.06
				(L/min)	(40.3)	(40.1)	(39.7)	(39.5)	(39.3)	(39.2)	(39.1)	(38.7)	(38.5)	(38.4)	(38.1)
			p _a	HP	1.72	3.50	5.38	7.76	9.95	12.26	14.50	16.71	19.03	19.90	23.63
		(kW)	(1.28)	(2.61)	(4.01)	(5.79)	(7.42)	(9.14)	(10.81)	(12.46)	(14.19)	(14.84)	(17.62)		
		Md	lb-ft	6.34	12.91	19.84	28.69	36.66	45.21	53.47	61.59	70.22	73.46	87.18	
		(daNm)	(0.86)	(1.75)	(2.69)	(3.80)	(4.97)	(6.13)	(7.25)	(8.35)	(9.52)	(9.96)	(11.82)		
	26	1.58 (25.9)	Q _{eff}	GPM	11.83	11.83	11.81	11.76	11.76	11.70	11.60	11.54	11.49	11.44	11.39
				(L/min)	(44.8)	(44.8)	(44.7)	(44.5)	(44.3)	(43.9)	(43.7)	(43.5)	(43.5)	(43.3)	(43.1)
			p _a	HP	2.09	4.14	6.16	8.77	11.05	13.64	16.19	18.68	21.13	22.14	26.30
		(kW)	(1.56)	(3.09)	(4.59)	(6.54)	(8.24)	(10.17)	(12.07)	(13.93)	(15.76)	(16.51)	(19.61)		
		Md	lb-ft	7.67	15.34	22.72	39.38	40.79	50.30	59.74	68.89	77.96	81.72	97.06	
		(daNm)	(1.04)	(2.08)	(3.08)	(4.39)	(5.53)	(6.82)	(8.10)	(9.34)	(10.57)	(11.08)	(13.16)		
29	1.84 (30.1)	Q _{eff}	GPM	13.39	13.29	13.24	13.16	13.10	13.08	13	12.94	12.84			
			(L/min)	(50.7)	(50.3)	(50.1)	(49.8)	(49.6)	(49.5)	(49.2)	(49)	(48.6)			
		p _a	HP	2.25	4.56	6.99	10.10	12.90	15.88	18.77	21.62	24.57			
	(kW)	(1.68)	(3.40)	(5.21)	(7.53)	(9.62)	(11.84)	(14)	(16.12)	(18.32)					
	Md	lb-ft	0.83	1.68	2.58	3.73	4.76	5.86	6.93	7.97	9.06				
	(daNm)	(1.12)	(2.28)	(3.50)	(5.06)	(6.46)	(7.94)	(9.39)	(10.81)	(12.29)					
32	1.99 (32.6)	Q _{eff}	GPM	14.79	14.74	14.69	14.58	14.48	14.42	14.34	14.27	14.16			
			(L/min)	(56)	(55.8)	(55.6)	(55.2)	(54.8)	(54.6)	(54.3)	(54)	(53.6)			
		p _a	HP	2.45	4.93	7.50	10.82	13.89	17.12	20.28	23.47	26.54			
	(kW)	(1.83)	(3.68)	(5.59)	(8.07)	(10.36)	(12.77)	(15.12)	(17.50)	(19.79)					
	Md	lb-ft	9.07	18.14	27.58	39.98	51.26	63.21	74.86	86.59	97.95				
	(daNm)	(1.23)	(2.46)	(3.74)	(5.42)	(6.95)	(8.57)	(10.15)	(11.74)	(13.28)					
38	2.29 (37.6)	Q _{eff}	GPM	17.09	17.09	17.09	17.07	17.07	17.04	16.96	16.91				
			(L/min)	(64.7)	(64.7)	(64.7)	(64.6)	(64.6)	(64.5)	(64.2)	(64)				
		p _a	HP	2.95	5.89	8.84	12.67	16.09	19.77	23.31	27.03				
	(kW)	(2.20)	(4.39)	(6.59)	(9.45)	(12)	(14.74)	(17.38)	(20.16)						
	Md	lb-ft	10.84	21.68	32.60	46.76	59.37	72.87	86.00	99.72					
	(daNm)	(1.47)	(2.94)	(4.42)	(6.34)	(8.05)	(9.88)	(11.66)	(13.52)						

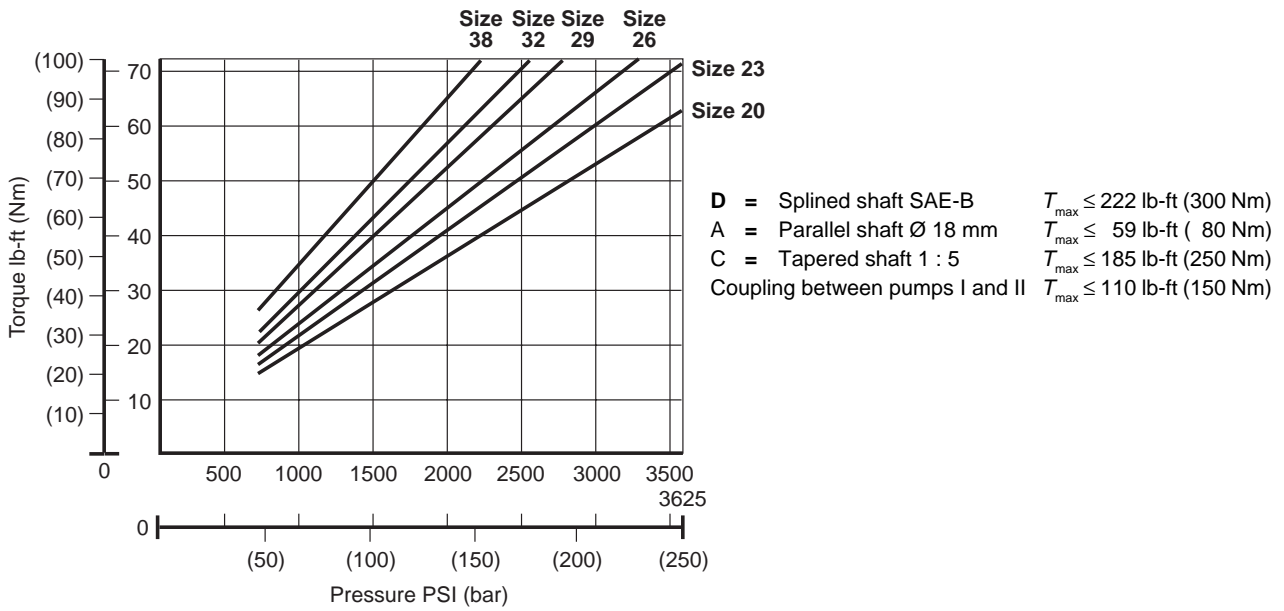
Noise levels, average values*

Measured in an anechoic chamber at n = 950/1450 rpm; v = 190 SUS (41 mm²/s) and t = 122 °F (50 °C)

p in PSI (bar)	Measurements to DIN 45 635 part 26 in dB(A): Distance from microphone to pump = 3.28 ft (1 m)											
	n = 950 rpm						n = 1450 rpm					
	Size			Size			Size			Size		
	20	23	26	29	32	38	20	23	26	29	32	38
75 (5)	58	58	58	59	60	60	58	60.5	60.5	64	63	64.5
725 (50)	59	59	58	60	61	60.5	60	61	61.5	66	65	65
1450 (100)	59.5	59	59	61.5	62	61	61	62.5	63.5	67	67.5	66
2175 (150)	59.5	59.5	60	63	63.5	62	63.5	64.5	65	67.6	67.5	67
2900 (200)	60	60	61.5	64.5	65		66	66.5	67.5	68	67.5	
3620 (250)	61.5	61.5	64.5				66	69.5	72.5			

* Noise level is a function of drive speed and load pressure.

Permissible drive torques at shaft



Unit dimensions and ordering code: dimensions in inches (millimeters)

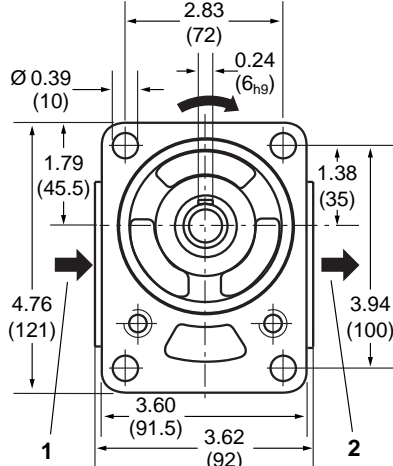
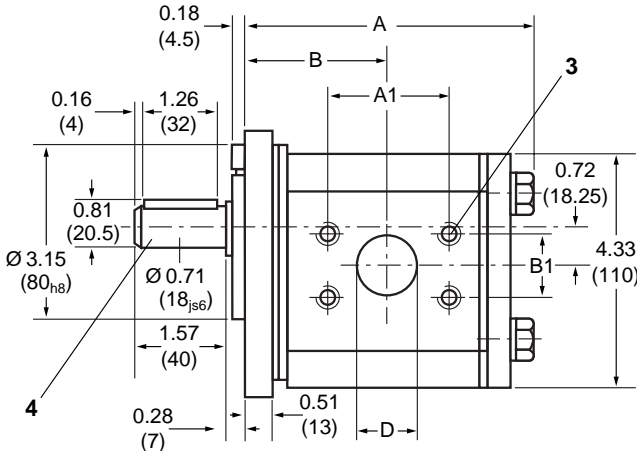
1 PF 2 G3-3X/... R A 07 MS

Size (see table)

Direction of rotation:
 Clockwise = R
 Counter-clockwise = L

Shaft end
 Parallel shaft
 18 mm dia.

Size	Dimensions in inches (mm)					SAE
	A	B	D	A1	B1	
020	4.94 (125.5)	2.42 (61.5)	1.00 (25.4)	2.01 (52.5)	1.03 (26.2)	1"
023	4.94 (125.5)	2.42 (61.5)	1.00 (25.4)	2.01 (52.5)	1.03 (26.2)	1"
026	4.94 (125.5)	2.42 (61.5)	1.00 (25.4)	2.01 (52.5)	1.03 (26.2)	1"
029	5.49 (139.5)	2.70 (68.5)	1.25 (31.7)	2.32 (58.8)	1.19 (30.2)	1-1/4"
032	5.49 (139.5)	2.70 (68.5)	1.25 (31.7)	2.32 (58.8)	1.19 (30.2)	1-1/4"
038	5.49 (139.5)	2.70 (68.5)	1.25 (31.7)	2.32 (58.8)	1.19 (30.2)	1-1/4"



Direction of rotation: counter-clockwise (model "L") viewed from end of drive shaft

For clockwise rotation (model "R") the pressure and suction ports are opposite!

- 1 Suction side
- 2 Pressure side
- 3 2 x 4 mounting bolt holes M10; 0.629 In. (16 mm) deep for SAE flanges. The suction and pressure flanges are identical
- 4 Parallel shaft 18 mm dia.

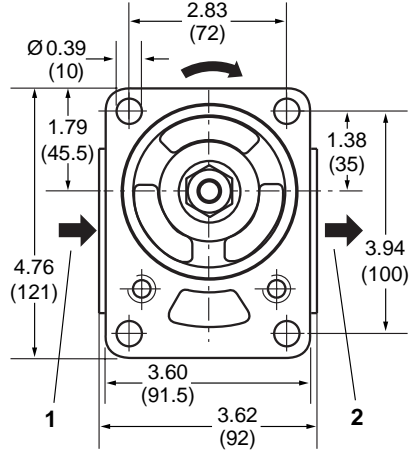
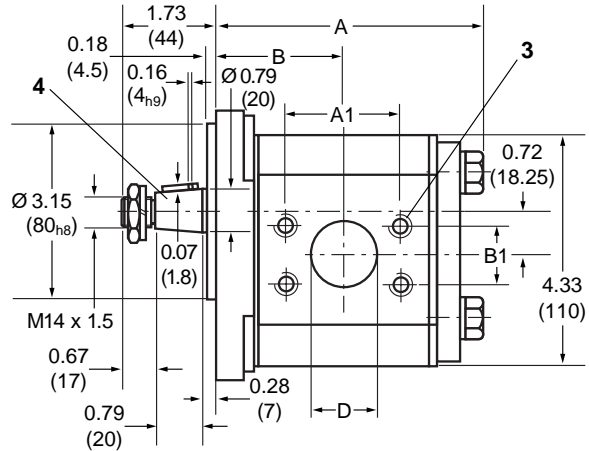
1 PF 2 G3-3X/... R C 07 MS

Size (see table)

Direction of rotation:
 Clockwise = R
 Counter-clockwise = L

Shaft end
 Tapered 1:5
 20 mm dia.

Size	Dimensions in inches (mm)					SAE
	A	B	D	A1	B1	
020	4.94 (125.5)	2.42 (61.5)	1.00 (25.4)	2.01 (52.5)	1.03 (26.2)	1"
023	4.94 (125.5)	2.42 (61.5)	1.00 (25.4)	2.01 (52.5)	1.03 (26.2)	1"
026	4.94 (125.5)	2.42 (61.5)	1.00 (25.4)	2.01 (52.5)	1.03 (26.2)	1"
029	5.49 (139.5)	2.70 (68.5)	1.25 (31.7)	2.32 (58.8)	1.19 (30.2)	1-1/4"
032	5.49 (139.5)	2.70 (68.5)	1.25 (31.7)	2.32 (58.8)	1.19 (30.2)	1-1/4"
038	5.49 (139.5)	2.70 (68.5)	1.25 (31.7)	2.32 (58.8)	1.19 (30.2)	1-1/4"



Direction of rotation: counter-clockwise (model "L") viewed from end of drive shaft

For clockwise rotation (model "R") the pressure and suction ports are opposite!

- 1 Suction side
- 2 Pressure side
- 3 2 x 4 mounting bolt holes M10; 0.629 In. (16 mm) deep for SAE flanges. The suction and pressure flanges are identical
- 4 Tapered shaft is 1:5; 20 mm dia.

Unit dimensions and ordering code: dimensions in inches (millimeters)

1 PF 2 G3-3X/... **R**
L D 07 MB

Size (see table)

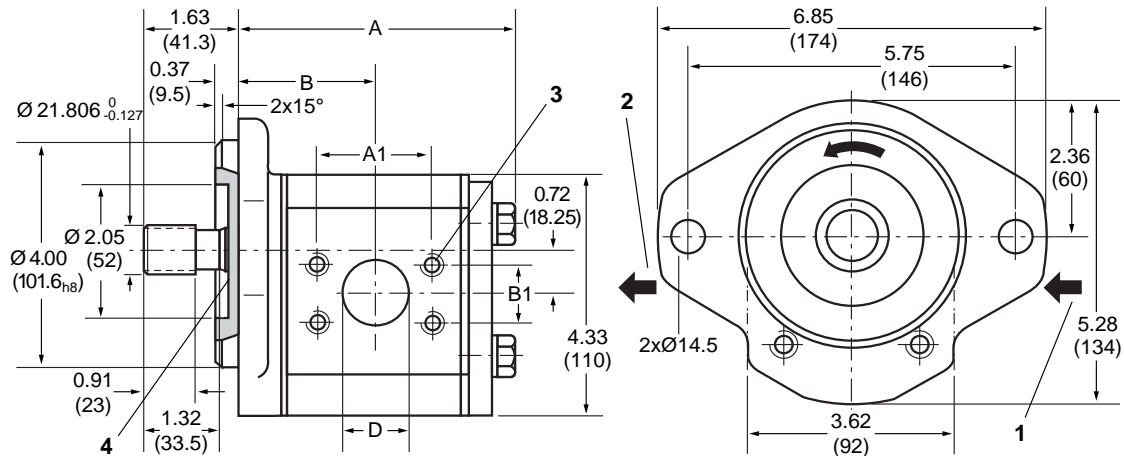
Direction of rotation:

Clockwise = **R**
Counter-clockwise = **L**

Shaft end

7/8" SAE-B
Splined shaft
13 teeth

Size	Part No.		Dimensions in inches (mm)						SAE
	Clockwise	Counter-Clockwise	A	B	D	A1	B1		
020	RR00 399 240	RR00 399 241	4.94 (125.5)	2.42 (61.5)	1.00 (25.4)	2.01 (52.5)	1.03 (26.2)	1"	
023	RR00 399 242	RR00 399 243	4.94 (125.5)	2.42 (61.5)	1.00 (25.4)	2.01 (52.5)	1.03 (26.2)	1"	
026	RR00 399 244	RR00 399 245	4.94 (125.5)	2.42 (61.5)	1.00 (25.4)	2.01 (52.5)	1.03 (26.2)	1"	
029	RR00 399 246	RR00 399 247	5.49 (139.5)	2.70 (68.5)	1.25 (31.7)	2.32 (58.8)	1.19 (30.2)	1-1/4"	
032	RR00 399 248	RR00 399 249	5.49 (139.5)	2.70 (68.5)	1.25 (31.7)	2.32 (58.8)	1.19 (30.2)	1-1/4"	
038	RR00 399 250	RR00 399 251	5.49 (139.5)	2.70 (68.5)	1.25 (31.7)	2.32 (58.8)	1.19 (30.2)	1-1/4"	



Direction of rotation: counter-clockwise (model "L")
viewed from end of drive shaft

For clockwise rotation (model "R") the pressure and suction ports are opposite!

- 1 Suction side
- 2 Pressure side
- 3 2 x 4 mounting bolt holes
M10; 0.629 In. (16 mm) deep for SAE flanges.
The suction and pressure flanges are identical
- 4 Splined shaft 7/8" SAE-B; 13 tooth
16/32 DP tooth thickness t = 0.09 (2.261)

Unit dimensions and ordering code: dimensions in inches (millimeters)

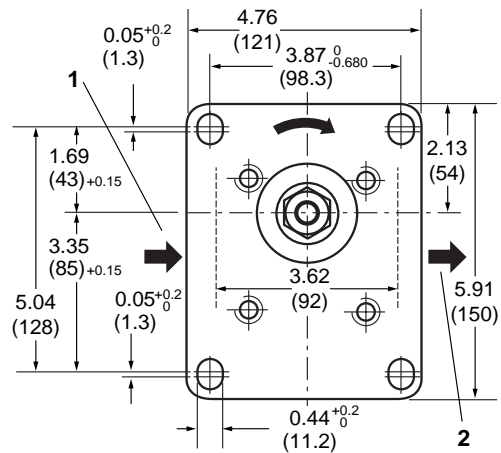
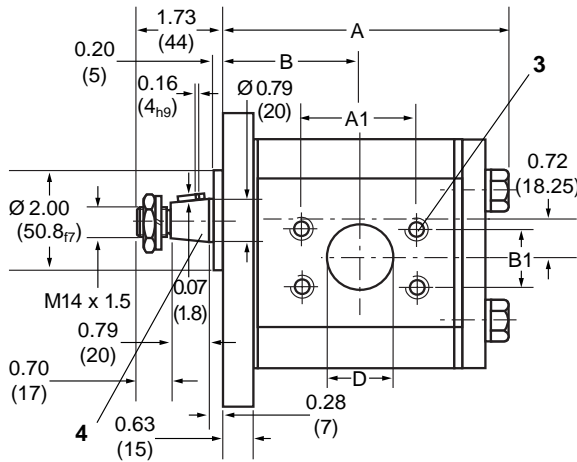
1 PF 2 G3-3X/... R C 07 MT
L

Size (see table)

Direction of rotation:
 Clockwise = R
 Counter-clockwise = L

Shaft end
 Tapered 1:5
 20 mm dia.

Size	Dimensions in inches (mm)					
	A	B	D	A1	B1	SAE
020	4.94 (125.5)	2.42 (61.5)	1.00 (25.4)	2.01 (52.5)	1.03 (26.2)	1"
023	4.94 (125.5)	2.42 (61.5)	1.00 (25.4)	2.01 (52.5)	1.03 (26.2)	1"
026	4.94 (125.5)	2.42 (61.5)	1.00 (25.4)	2.01 (52.5)	1.03 (26.2)	1"
029	5.49 (139.5)	2.70 (68.5)	1.25 (31.7)	2.32 (58.8)	1.19 (30.2)	1-1/4"
032	5.49 (139.5)	2.70 (68.5)	1.25 (31.7)	2.32 (58.8)	1.19 (30.2)	1-1/4"
038	5.49 (139.5)	2.70 (68.5)	1.25 (31.7)	2.32 (58.8)	1.19 (30.2)	1-1/4"



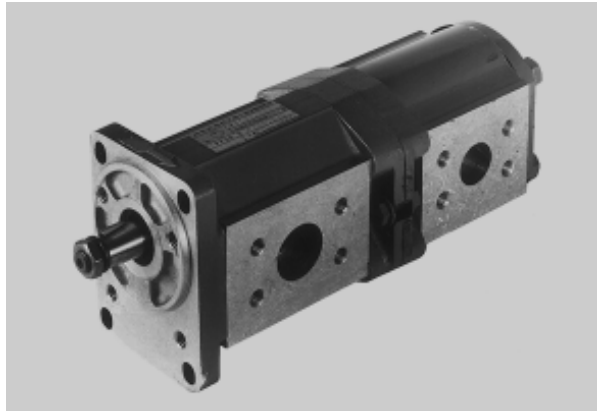
Direction of rotation: counter-clockwise (model "L") viewed from end of drive shaft
 For clockwise rotation (model "R") the pressure and suction ports are opposite!

- 1 Suction side
- 2 Pressure side
- 3 2 x 4 mounting bolt holes
 M10; 0.629 in. (16 mm) deep for SAE flanges.
 The suction and pressure flanges are identical
- 4 Tapered shaft is 1:5; 20 mm dia.

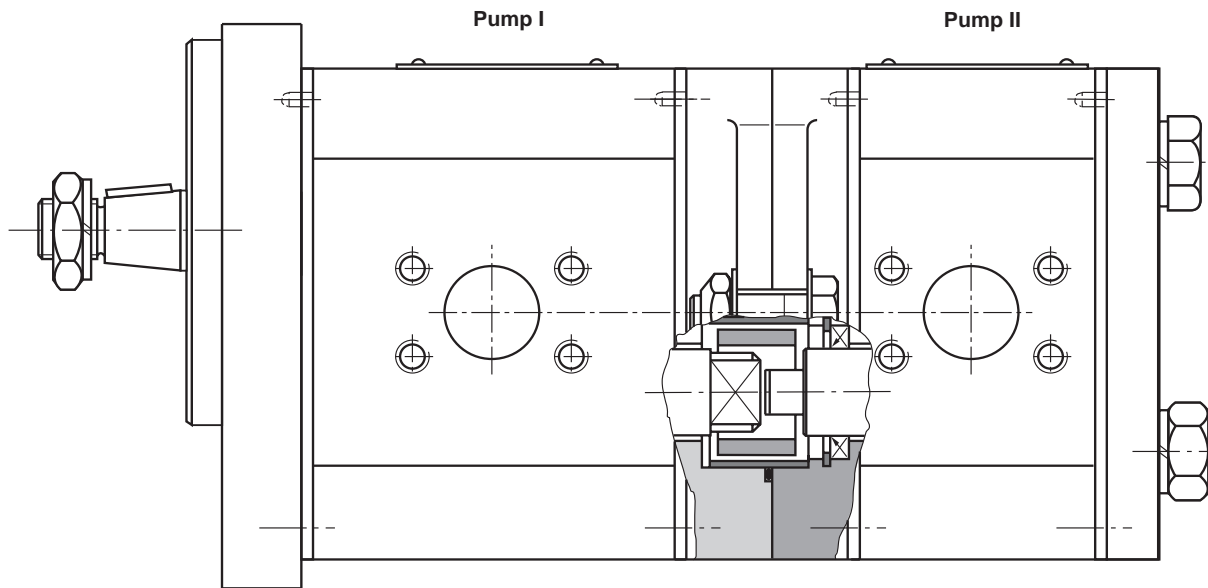
Tandem pumps Model G3 + G3, Series 3X

For tandem pumps, please note the following:

- Pump size 4 may not be installed as the front pump 1
- Pump 1 should carry higher loads (pressure x volume) than pump 2
- Individual pumps are separated by a shaft seal on the suction side (pumps can draw from separate reservoirs)
- The torque transmitted by the drive shafts and the coupling is limited as shown below
- When designing multiple pump assemblies, the sum of the permissible torques may not be exceeded



G3 + G3 combination pump



Example: 1 PF 2 G3-3X/032 RD 07 MBK + 1 PF 2 G3-3X/026 LN 07 MDL

Ordering Code

Front pump*

1 PF 2 G3-3X/... R A 07 MSK

Size (see table) R
L

Direction of rotation:
 Clockwise = R
 Counter-clockwise = L

Shaft end
 Parallel shaft
 18 mm dia

1 PF 2 G3-3X/... R D 07 MBK

Size (see table) R
L

Direction of rotation:
 Clockwise = R
 Counter-clockwise = L

Shaft end
 Splined shaft
 7/8" SAE-B ,
 13 Teeth

1 PF 2 G3-3X/... R L C 07 MSK

Size (see table) R
L

Direction of rotation:
 Clockwise = R
 Counter-clockwise = L

Shaft end
 Tapered shaft
 Taper 1 : 5; Ø 20 mm

Rear pump*

1 PF 2 G3-3X/... R N 07 MHL

Size (see table) R
L

Direction of rotation:
 Clockwise = R
 Counter-clockwise = L

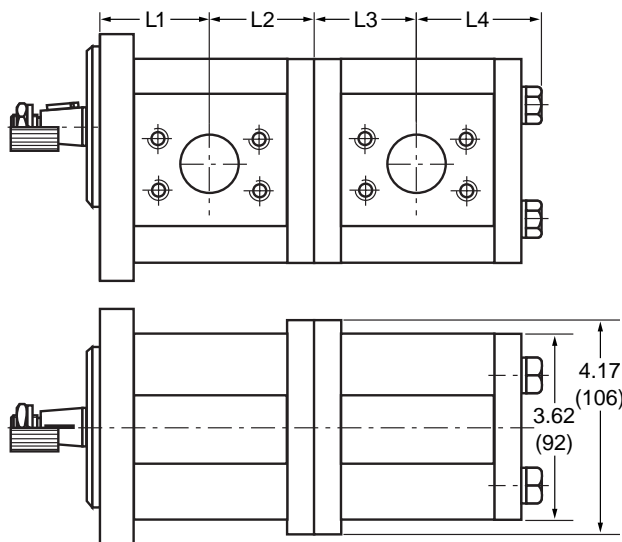
Shaft end
 Tongued shaft with
 coupling

Size	Part No.	
	Clockwise	Counter-clockwise
020	RR00 399 094	RR00 399 095
023	RR00 399 096	RR00 399 097
026	RR00 399 098	RR00 399 099
029	RR00 399 100	RR00 399 101
032	RR00 399 102	RR00 399 103
038	RR00 399 104	RR00 399 105

Size	Part No.	
	Clockwise	Counter-clockwise
020	RR00 399 252	RR00 399 253
023	RR00 399 254	RR00 399 255
026	RR00 399 256	RR00 399 257
029	RR00 399 258	RR00 399 259
032	RR00 399 260	RR00 399 261
038	RR00 399 262	RR00 399 263

Size	Part No.	
	Clockwise	Counter-clockwise
020	RR00 399 201	RR00 399 202
023	RR00 399 203	RR00 399 204
026	RR00 399 205	RR00 399 206
029	RR00 399 207	RR00 399 208
032	RR00 399 209	RR00 399 210
038	RR00 399 211	RR00 399 212

Size	Part No.	
	Clockwise	Counter-clockwise
020	RR00 399 237	RR00 399 238
023	RR00 399 239	RR00 399 240
026	RR00 399 241	RR00 399 242
029	RR00 399 243	RR00 399 244
032	RR00 399 245	RR00 399 246
038	RR00 399 247	RR00 399 248



Dimensions in inches (millimeters)

Size	L1	L2	L3	L4
020	2.421 (61.5)	2.480 (63)	2.480 (63)	2.520 (64)
023	2.421 (61.5)	2.480 (63)	2.480 (63)	2.520 (64)
026	2.421 (61.5)	2.480 (63)	2.480 (63)	2.520 (64)
029	2.697 (68.5)	2.756 (73)	2.756 (70)	2.795 (71)
032	2.697 (68.5)	2.756 (73)	2.756 (70)	2.795 (71)
038	2.697 (68.5)	2.756 (73)	2.756 (70)	2.795 (71)

* Consult factory for combination stock availability

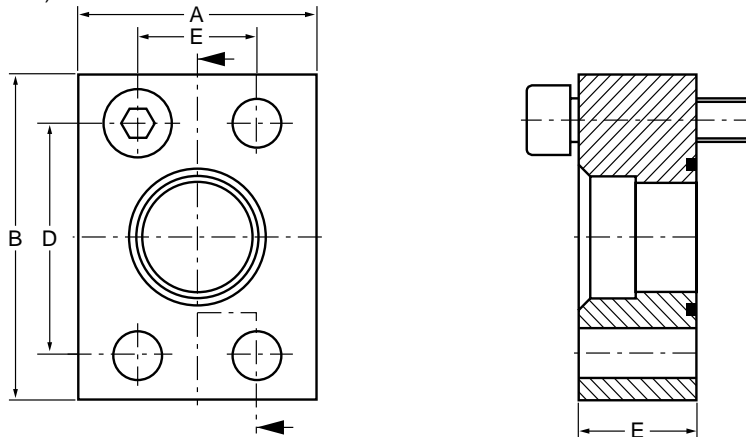
Accessories: Seal kits, SAE flange connections

**Seal kits
(Buna seals)**

Pump type (all sizes)	Seal kit Part No.	Shaft seal Part No.
1PF 2 G3-3X/... R A 07 MS	RR00 309 412	RR00 361 445
1PF 2 G3-3X/... R C 07 MS	RR00 309 412	RR00 361 445
1PF 2 G3-3X/... R D 07 MB	RR00 309 412	RR00 361 445
1PF 2 G3-3X/... R C 07 MT	RR00 309 412	RR00 361 445
1PF 2 G3-3X/... R A 07 MSK	RR00 309 412	RR00 361 445
1PF 2 G3-3X/... R D 07 MBK	RR00 309 412	RR00 361 445
1PF 2 G3-3X/... R N 07 MHL	RR00 309 412	Not Required
1PF 2 G3-3X/... R C 07 MSK	RR00 309 412	RR00 361 445

Unit Dimensions: SAE Connection Flange/max. operating pressure 3000 PSI (210 bar)

Dimensions in inches (millimeters)



Size	A	B	C	D	E	Mounting Bolts
1"	2.00 (50.8)	2.75 (69.9)	1.00 (25.4)	2.062 (52.4)	1.031 (26.2)	M10
1-1/4"	2.50 (64)	3.12 (79)	1.00 (25.4)	2.312 (58.7)	1.188 (30.2)	M10

Threaded, socket-weld, butt-weld flanges available, for further flange information see RA 45 520

Note: maximum operating pressure 3000 PSI (210 bar)

**Pump weight
in lbs (kg)**

Pump type	Size					
	20	23	26	29	32	38
1PF 2 G3-3X/... R A 07 MS	8.6 (3.9)	8.6 (3.9)	8.6 (3.9)	9.5 (4.3)	9.5 (4.3)	9.5 (4.3)
1PF 2 G3-3X/... R C 07 MS	8.6 (3.9)	8.6 (3.9)	8.6 (3.9)	9.5 (4.3)	9.5 (4.3)	9.5 (4.3)
1PF 2 G3-3X/... R D 07 MB	7.7 (3.5)	7.7 (3.5)	7.7 (3.5)	13.2 (6.0)	13.2 (6.0)	13.2 (6.0)
1PF 2 G3-3X/... R C 07 MT	8.8 (4.0)	8.8 (4.0)	8.8 (4.0)	9.7 (4.4)	9.7 (4.4)	9.7 (4.4)
1PF 2 G3-3X/... R A 07 MSK	9.9 (4.5)	9.9 (4.5)	9.9 (4.5)	11.0 (5.0)	11.0 (5.0)	11.0 (5.0)
1PF 2 G3-3X/... R D 07 MBK	13.2 (6.0)	13.2 (6.0)	13.2 (6.0)	14.1 (6.4)	14.1 (6.4)	14.1 (6.4)
1PF 2 G3-3X/... R N 07 MHL	8.8 (4.0)	8.8 (4.0)	8.8 (4.0)	9.7 (4.4)	9.7 (4.4)	9.7 (4.4)
1PF 2 G3-3X/... R C 07 MSK	9.9 (4.5)	9.9 (4.5)	9.9 (4.5)	11.0 (5.0)	11.0 (5.0)	11.0 (5.0)

Buna-N seal kits, for all models & sizes - RR00 309 412, shaft seal RR00 361 445



Manneshmann Rexroth Corporation
 Rexroth Hydraulics Div., Industrial, 2315 City Line Road, Bethlehem, PA 18017-2131 Tel. (610) 694-8300 Fax: (610) 694-8467
 Rexroth Hydraulics Div., Mobile, 1700 Old Mansfield Road, Wooster, OH 44691-0394 Tel. (330) 263-3400 Fax: (330) 263-3333